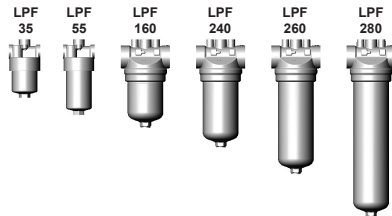


Low Pressure Filter LPF up to 280 l/min, up to 50 bar



1. TECHNICAL SPECIFICATIONS

1.1 FILTER HOUSING

Construction

The filter housings are designed in accordance with international regulations. They consist of a filter head and a screw-in filter bowl.

Standard equipment:

- without bypass valve
- connection for a clogging indicator

1.2 FILTER ELEMENTS

HYDAC filter elements are validated and their quality is constantly monitored according to the following standards:

- ISO 2941, ISO 2942, ISO 2943, ISO 3724, ISO 3968, ISO 11170, ISO 16889

Filter elements are available with the following pressure stability values:

Optimicron® (ON): 20 bar
Betamicon® (BH4HC): 210 bar
Wire mesh (W/HC)*: 30 bar

*only for LPF 160, 240, 260, 280

NOTICE:

Only filter elements with Optimicron® and .../HC material can be used in LPF filters!

1.3 FILTER SPECIFICATIONS

Nominal pressure	LPF 35, 55: 40 bar LPF 160, 240, 260, 280: 50 bar
Fatigue strength	at nominal pressure 10 ⁶ load cycles from 0 to nominal pressure LPF 35 and 55: 10 ⁷ load cycles at 40 bar
Temperature range	-30 °C to +100 °C
Material of filter head	Aluminium
Material of filter bowl	Aluminium
Type of indicator	VM (Diff. pressure indicator up to 210 bar operating pressure) VL (Diff. pressure indicator up to 40 bar operating pressure - only BF indicator)
Pressure setting of clogging indicator	5 bar (others on request)
Bypass cracking pressure (optional)	6 bar (LPF 160 - 280) 7 bar (LPF 35 - 55) others on request

1.4 SEALS

Perbunan (=NBR)

1.5 INSTALLATION

Inline filter

1.6 SPECIAL MODELS AND ACCESSORIES

- Seals in FPM, EPDM
- With bypass valve (1, 3, 6 or 7 bar)
- Without port for clogging indicator (LPF 160, 240, 260, 280)

1.7 SPARE PARTS

See Original Spare Parts List

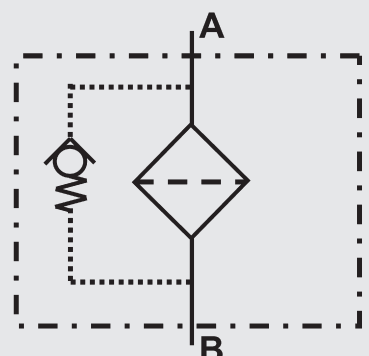
1.8 CERTIFICATES AND APPROVALS

On request

1.9 COMPATIBILITY WITH HYDRAULIC FLUIDS ISO 2943

- Hydraulic oils H to HLPD DIN 51524
- Lubrication oils DIN 51517, API, ACEA, DIN 51515, ISO 6743
- Compressor oils DIN 51506
- Biodegradable operating fluids VDMA 24568 HETG, HEES, HEPG
- Fire-resistant fluids HFC and HFD
- Operating fluids with high water content (>50% water content) on request

Symbol for hydraulic systems



2. MODEL CODE (also order example)

LPF ON 160 G E 10 D 1 . X /-L24

2.1 COMPLETE FILTER

Filter type

LPF

Filter material

ON Optimicron®
 BH/HC Betamicron® (BH4HC)
 W/HC wire mesh (only LPF 160, 240, 260, 280)

Size of filter or element

LPF: 35, 55, 160, 240, 260, 280

Operating pressure

E = 40 bar (LPF 35, 55)
 G = 50 bar (LPF 160, 240, 260, 280)

Type and size of connection

Type	Port	Filter size					
		35	55	160	260	240	280
A	M18 x 1.5	●	●				
B	G ½	●	●				
E	G 1¼			●	●	●	●

Filtration rating in µm

ON: 1, 3, 5, 10, 15, 20
 W/HC: 25, 50, 100, 200 (only LPF 160, 240, 260, 280)
 BH/HC: 3, 5, 10, 20

Type of clogging indicator

W without port (no clogging indicator)
 Y plastic blanking plug in indicator port
 A steel blanking plug in indicator port
 B visual
 C electrical
 D visual and electrical
 BF visual mobile indicator (only LPF 160, 240, 260, 280)
 Return line indicator possible on request!

for other clogging indicators,
 see brochure no. 7.050../..

Type code

1

Modification number

X the latest version is always supplied

Supplementary details

B. cracking pressure of bypass valve (e.g. B6 = 6 bar); no details = without bypass valve
 BFL BF clogging indicator on left in direction of flow
 BFR BF clogging indicator on right in direction of flow
 L... light with appropriate voltage (24, 48, 110, 220 Volt)
 LED 2 light-emitting diodes up to 24 Volt
 SO184 pressure release/oil drain screw
 V FPM seals
 W suitable for HFA and HFC emulsions

only for clogging indicators type "D"

2.2 REPLACEMENT ELEMENT

0160 D 010 ON /-V

Size

0035, 0055, 0160, 0240, 0260, 0280

Type

D

Filtration rating in µm

ON: 001, 003, 005, 010, 015, 020
 W/HC: 025, 050, 100, 200 (only LPF 160, 240, 260, 280)
 BH4HC: 003, 005, 010, 020

Filter material

ON, BH4HC, W/HC

Supplementary details

V, W (for descriptions, see point 2.1)

2.3 REPLACEMENT CLOGGING INDICATOR

VM 5 D . X /-L24

Type of indicator

VM Diff. pressure indicator up to 210 bar operating pressure
 VL Diff. pressure indicator up to 50 bar operating pressure (only in conjunction with the "BF" indicator)

Pressure setting

5 standard 5 bar, others on request (standard 2 bar on "BF" indicator)

Type of clogging indicator (see Point 2.1)

Modification number

X the latest version is always supplied

Supplementary details

L..., LED, V, W (for descriptions, see point 2.1)

3. FILTER CALCULATION / SIZING

The total pressure drop of a filter at a certain flow rate Q is the sum of the housing Δp and the element Δp and is calculated as follows:

$$\Delta p_{\text{total}} = \Delta p_{\text{housing}} + \Delta p_{\text{element}}$$

$$\Delta p_{\text{housing}} = \text{(see Point 3.1)}$$

$$\Delta p_{\text{element}} = Q \cdot \frac{SK^*}{1000} \cdot \frac{\text{viscosity}}{30}$$

(*see Point 3.2)

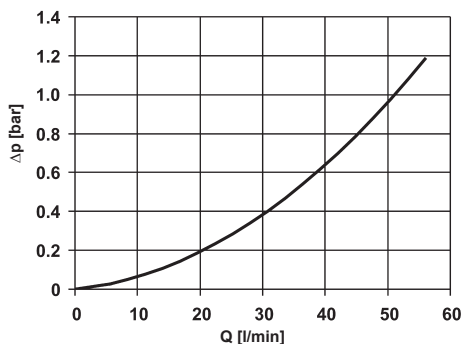
For ease of calculation, our Filter Sizing Program is available on request free of charge.

NEW: Sizing online at www.hydac.com

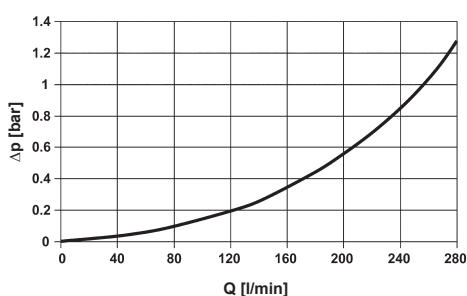
3.1 Δp -Q HOUSING CURVES BASED ON ISO 3968

The housing curves apply to mineral oil with a density of 0.86 kg/dm³ and a kinematic viscosity of 30 mm²/s. In this case, the differential pressure changes proportionally to the density.

LPF 35, 55



LPF 160, 240, 260, 280



3.2 GRADIENT COEFFICIENTS (SK) FOR FILTER ELEMENTS

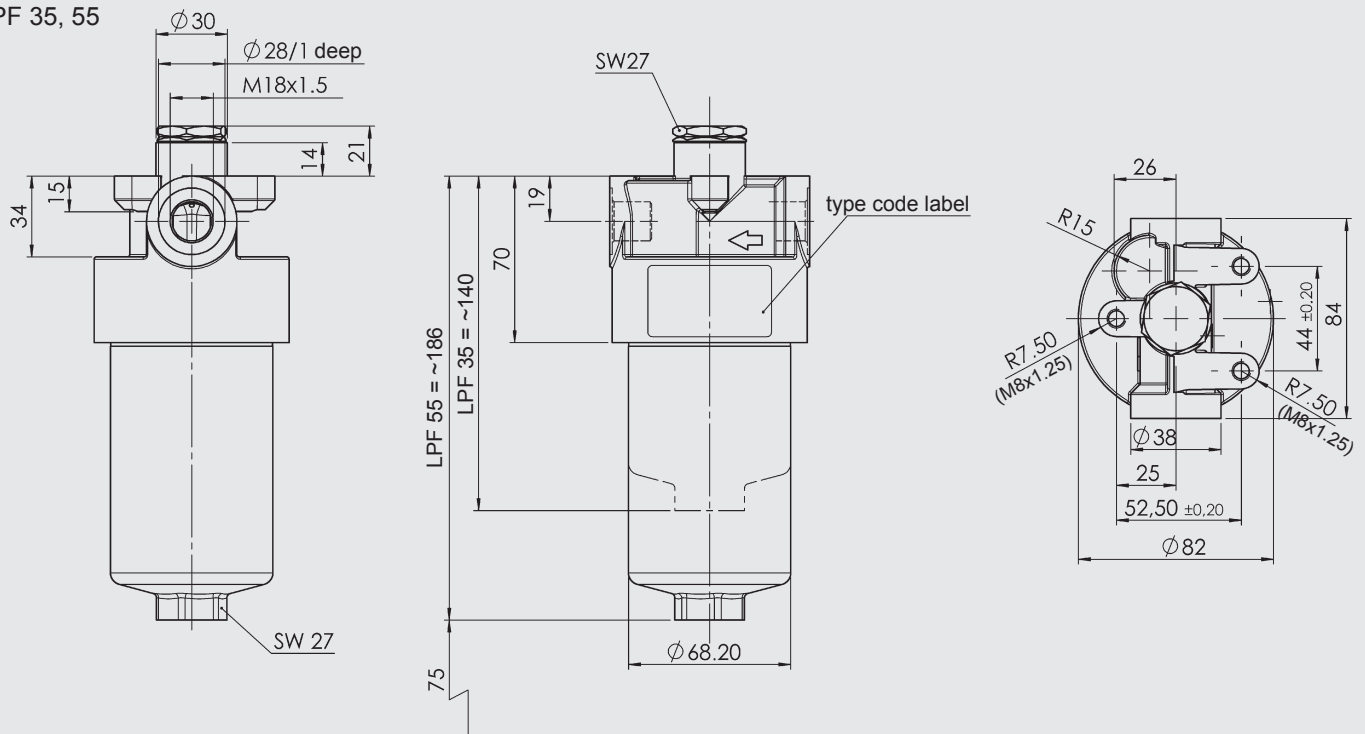
The gradient coefficients in mbar/(l/min) apply to mineral oils with a kinematic viscosity of 30 mm²/s. The pressure drop changes proportionally to the change in viscosity.

LPF	ON					
	1 μm	3 μm	5 μm	10 μm	15 μm	20 μm
35	50.2	21.3	17.1	13.7	10.0	7.44
55	26.0	12.3	9.90	7.90	5.17	3.84
160	18.5	11.0	7.70	4.10	3.71	3.18
240	11.5	6.90	5.34	3.19	2.44	2.10
260	8.18	4.96	3.87	2.31	1.83	1.44
280	5.54	3.37	2.74	1.49	1.36	1.17

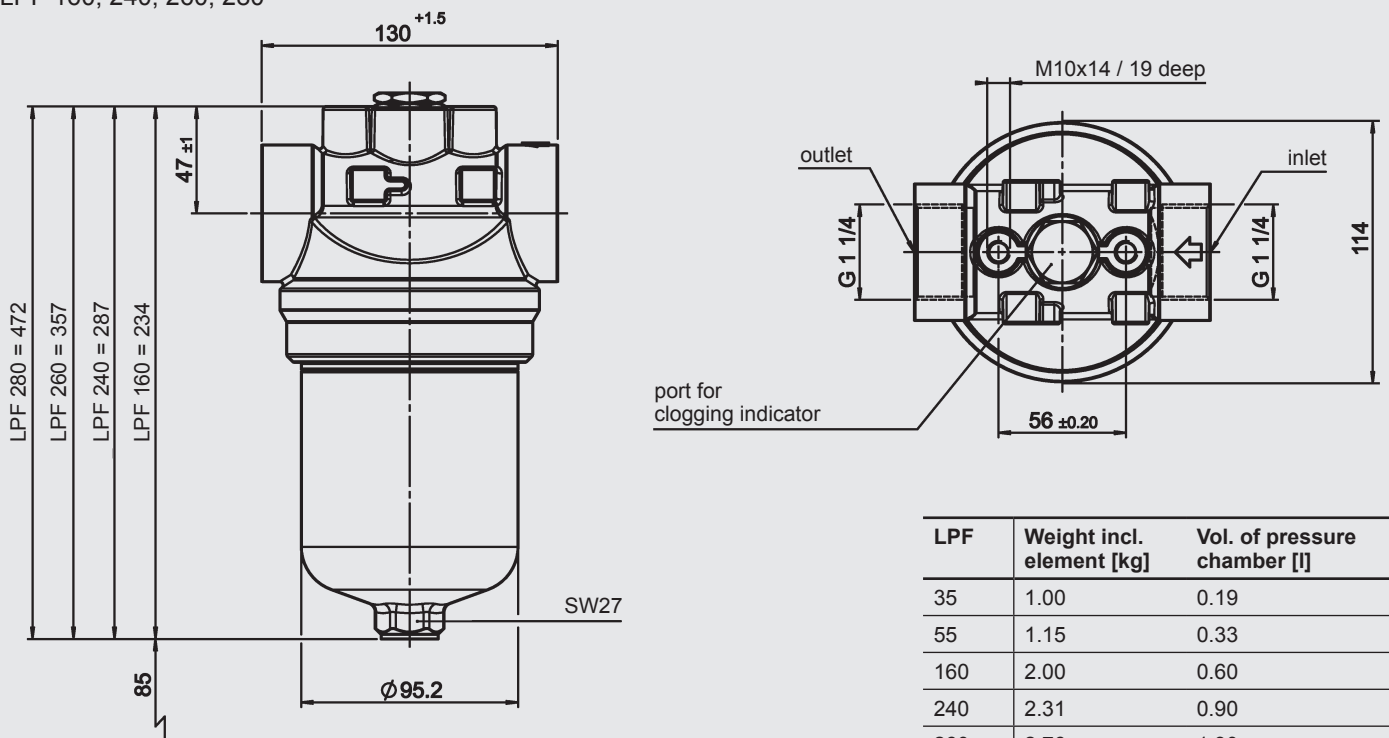
LPF	BH4HC				W/HC
	3 μm	5 μm	10 μm	20 μm	
35	47.8	28.1	16.8	10.5	–
55	24.2	14.2	8.5	5.3	–
160	16.8	10.4	5.9	4.4	0.284
240	10.6	6.8	3.9	2.9	0.189
260	8.1	4.8	3.3	1.9	0.131
280	5.7	3.4	1.8	1.6	0.089

4. DIMENSIONS

LPF 35, 55



LPF 160, 240, 260, 280



LPF	Weight incl. element [kg]	Vol. of pressure chamber [l]
35	1.00	0.19
55	1.15	0.33
160	2.00	0.60
240	2.31	0.90
260	2.76	1.30
280	3.28	1.70

NOTE

The information in this brochure relates to the operating conditions and applications described.
For applications or operating conditions not described, please contact the relevant technical department.
Subject to technical modifications.

HYDAC Filtrertechnik GmbH
Industriegebiet
D-66280 Sulzbach/Saar
Tel.: 0 68 97 / 509-01
Fax: 0 68 97 / 509-300
Internet: www.hydac.com
E-Mail: filter@hydac.com